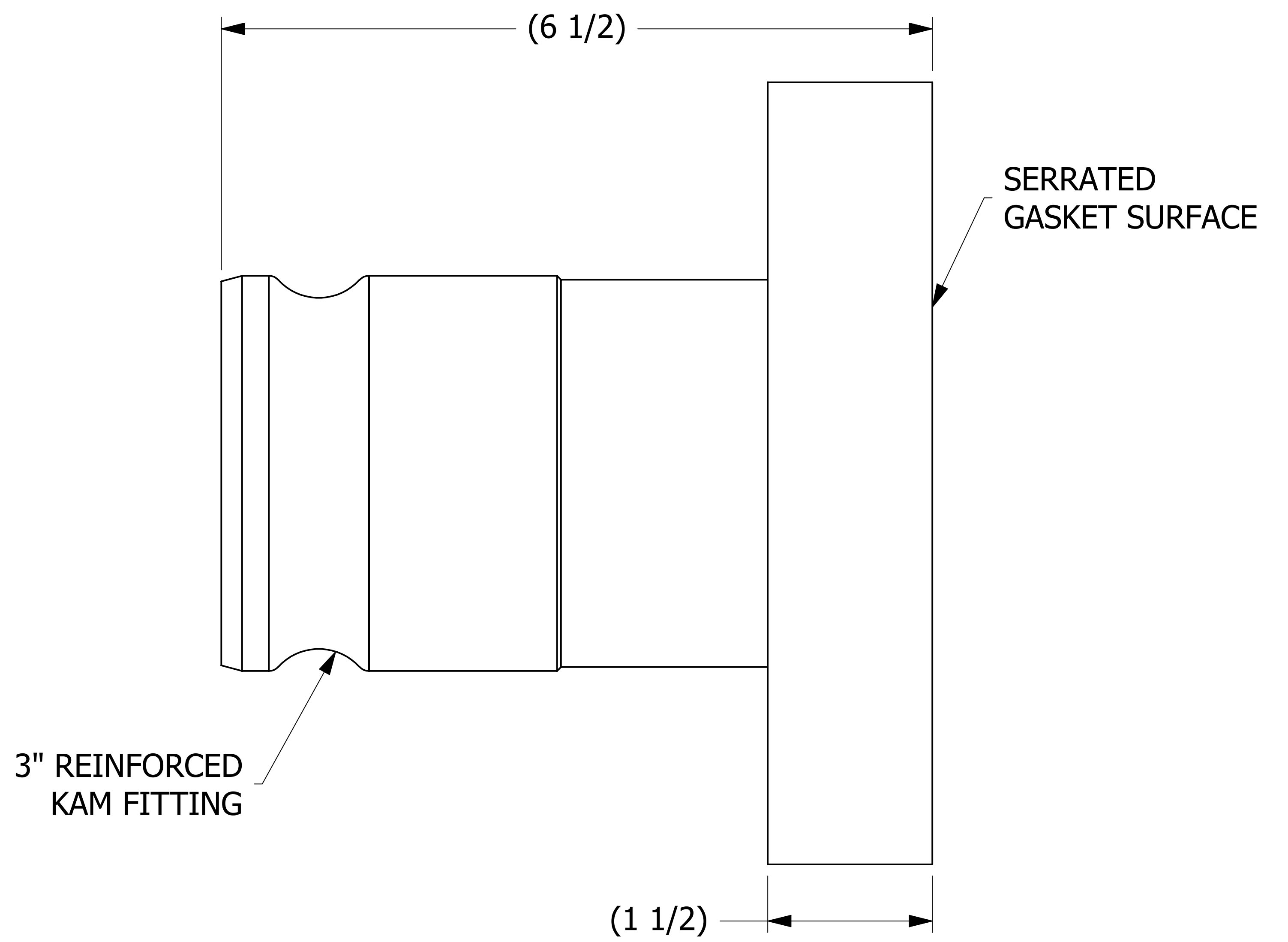
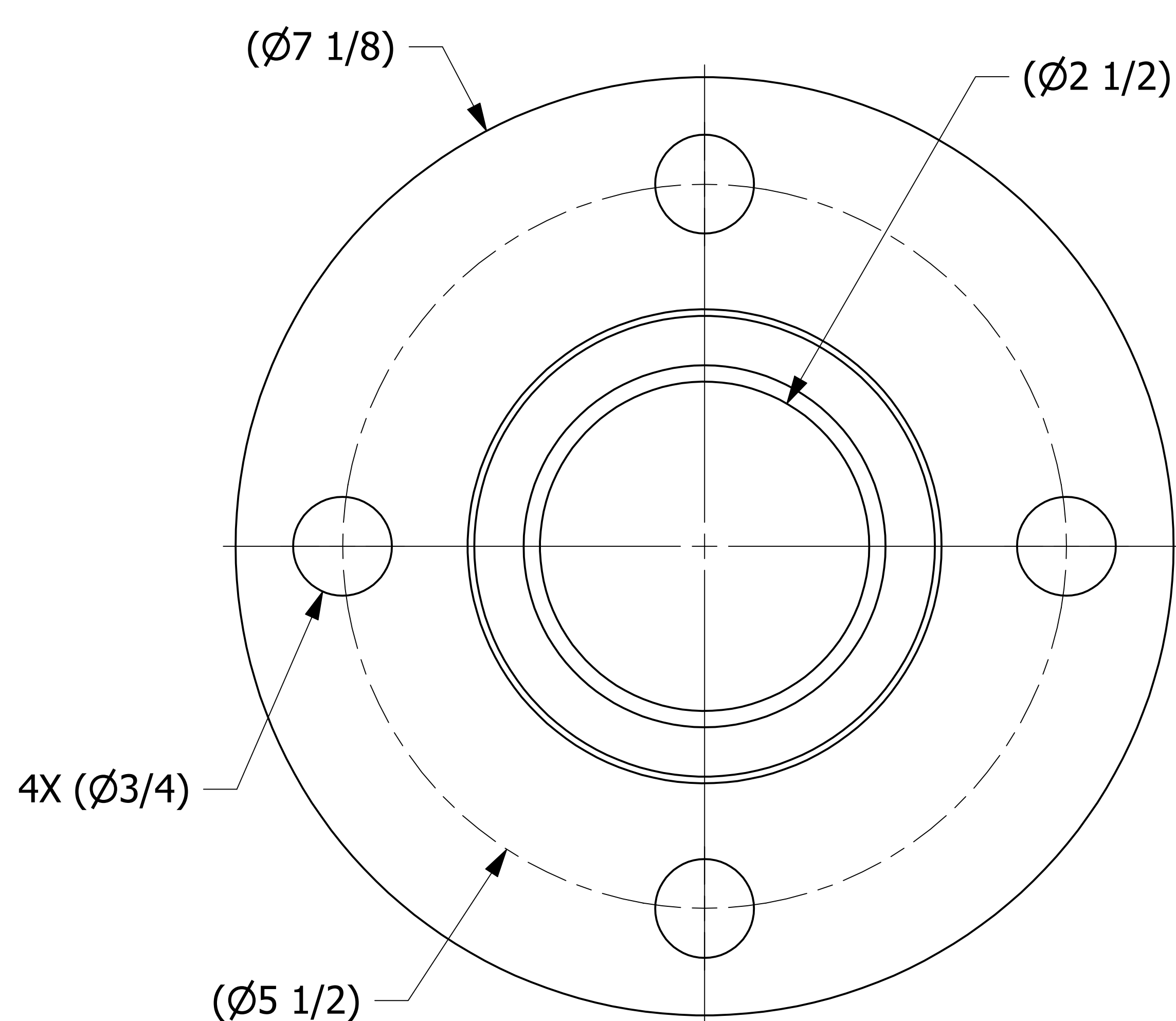


SALES DRAWING

SALES DRAWING



THIS PRINT, PROPERTY OF SALCO PRODUCTS INC. CONTAINS PROPRIETARY INFORMATION AND MUST NOT BE COPIED, REPRODUCED, OR USED DETRIMENTALLY TO OUR INTEREST.

UNLESS OTHERWISE SPECIFIED
DIMENSIONAL TOLERANCES

FRACTIONAL: $\pm 1/16$
X.XX: $\pm .03$
X.XXX: $\pm .015$
ANGULAR: $\pm 1^\circ$

DEBURR ALL SHARP EDGES.
ALL MACHINED SURFACES TO
HAVE A 125 RMS FINISH
UNLESS NOTED OTHERWISE.

THIRD ANGLE PROJECTION

DRAWN BY: TAK
CHECKED BY: CHL
PROTOTYPE BY: TAK
PROTOTYPE DATE: 2/28/2013
APPROVED FOR PRODUCTION BY: CHL
PRODUCTION DATE: 10/9/2013

A	TAK	10-9-13	RELEASED FOR PRODUCTION
REV	BY	DATE	DESCRIPTION
SALCO PRODUCTS, INC.			
PART NAME: FLANGE ADAPTER 3" X 2 1/2"			
MATERIAL: SALCO PE/ 316 SS			
PROJECT #:	130226	SHEET #:	1 OF 1
DRAWING #:	D35497	PART #:	HS325FTKRPY
SCALE: 4:3			